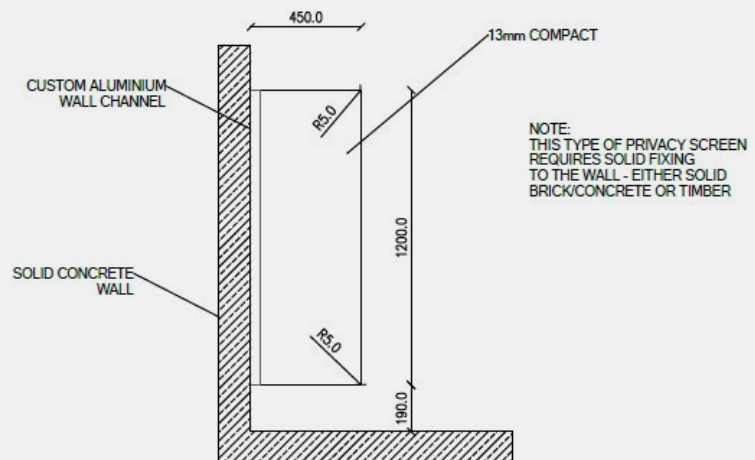


## SPECIFICATION SHEET

# PRIVACY / URINAL SCREENS

### PRIVACY SCREENS ARE AN IMPORTANT FIXTURE IN A BATHROOM.

They offer a discrete range of privacy in commercial bathrooms, public toilets, schools & office environments for men. As well as looking sleek they are a perfect way to improve the environment for your clients.



### FREE STANDING

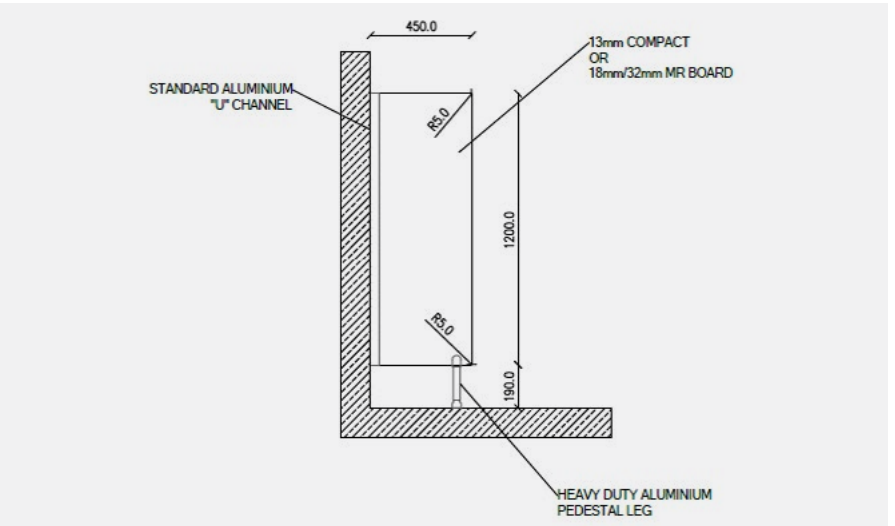
The Free Standing has a customised wall channel that allows the panel to be suspended off the FFL. They are great for between Urinals or to separate a sink from a urinal.

#### Design Features

- ▶ Aluminium anodised extrusion
- ▶ 304 Stainless Steel fixings
- ▶ Suitable for general privacy
- ▶ Vandal resistant

#### Benefits

- ▶ Wide range of colours to match your partitioning system
- ▶ Easy to clean



## PEDESTAL MOUNTED

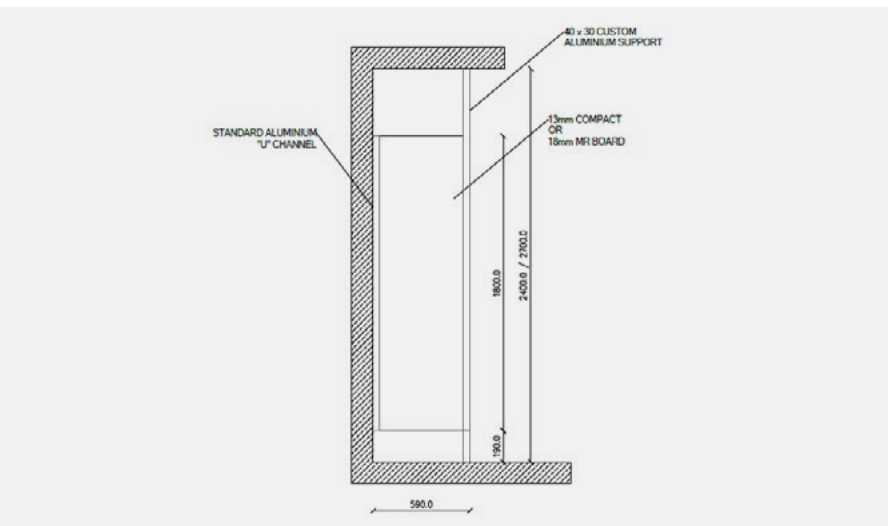
The Pedestal Mounted Is a versatile screening solution providing privacy in any bathroom environment. Inclusive of a heavy-duty aluminium pedestal leg giving extra support.

### Design Features

- ▶ Aluminium anodised extrusion
- ▶ 304 Stainless Steel fixings
- ▶ Vandal resistant
- ▶ Heavy-duty aluminium pedestal leg

### Benefits

- ▶ Wide range of colours to match your partitioning system
- ▶ Easy to clean
- ▶ Pedestal Leg offers extra support



## FLOOR TO CEILING FIXED

The floor to ceiling fixed allows the panel to be extra width and height giving greater privacy.

### Design Features

- ▶ Aluminium anodised extrusion
- ▶ 304 Stainless Steel fixings
- ▶ Vandal resistant
- ▶ 40 x 30 custom aluminium support

### Benefits

- ▶ Wide range of colours to match your partitioning system
- ▶ Easy to clean
- ▶ Floor to ceiling fixing gives extra support on larger panels